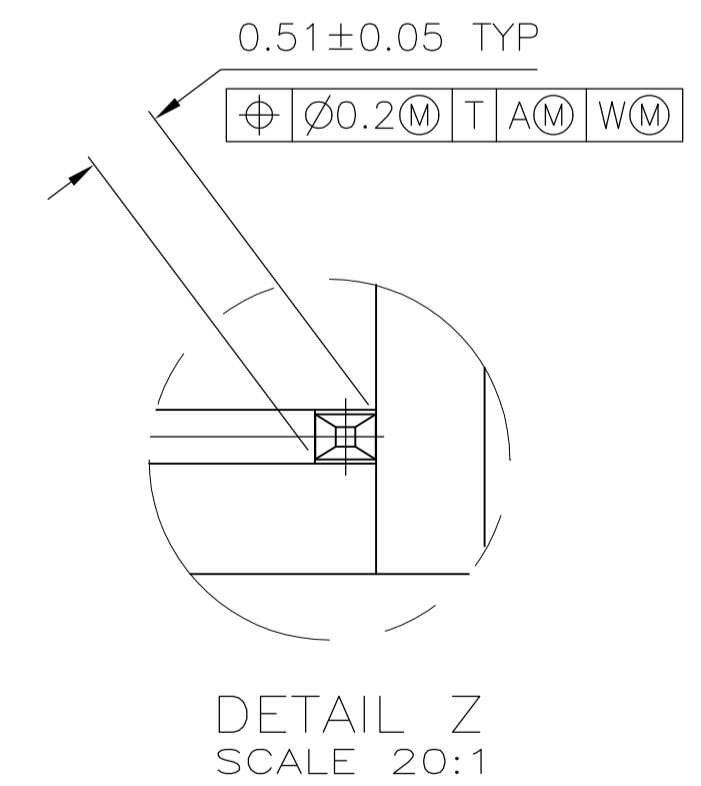
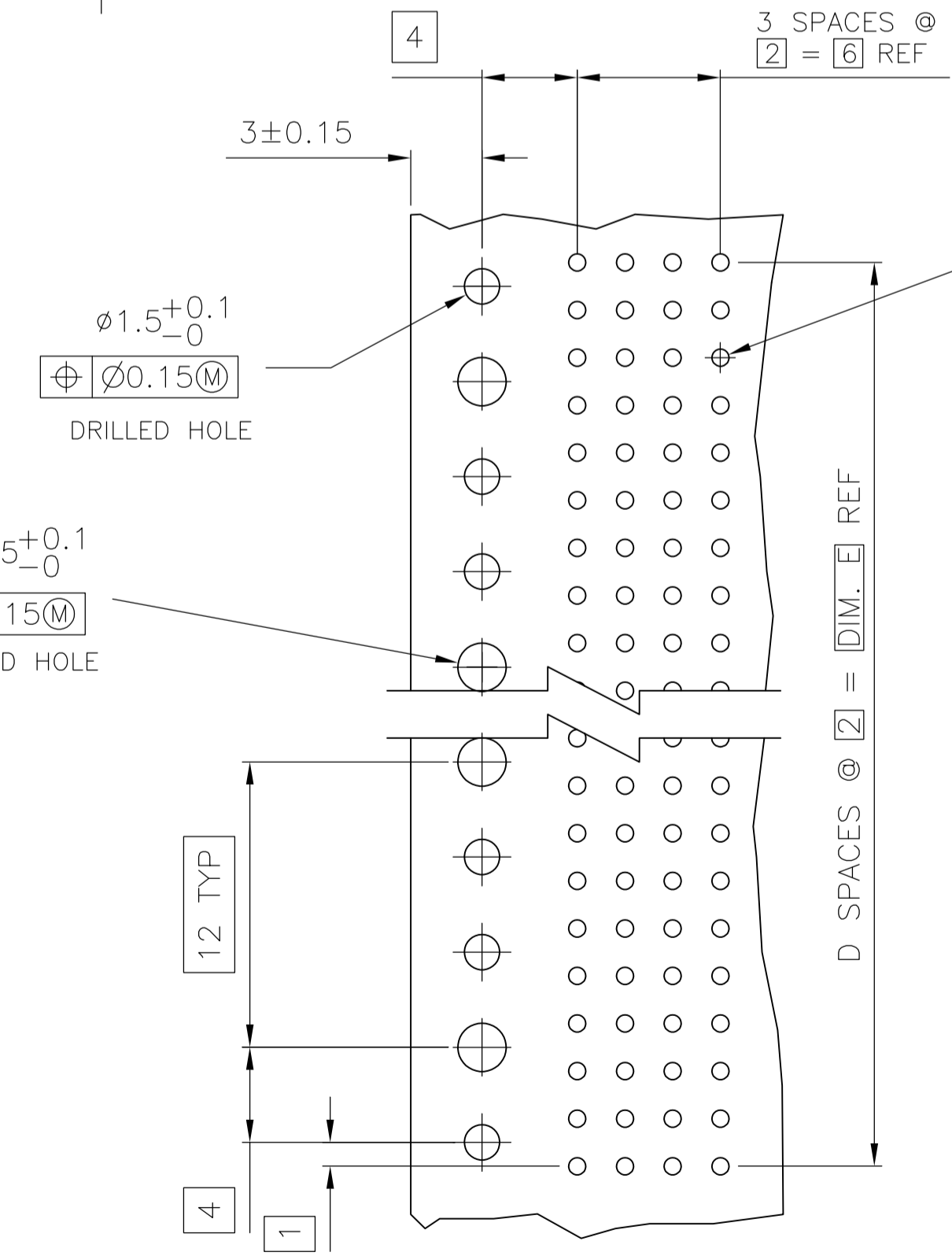
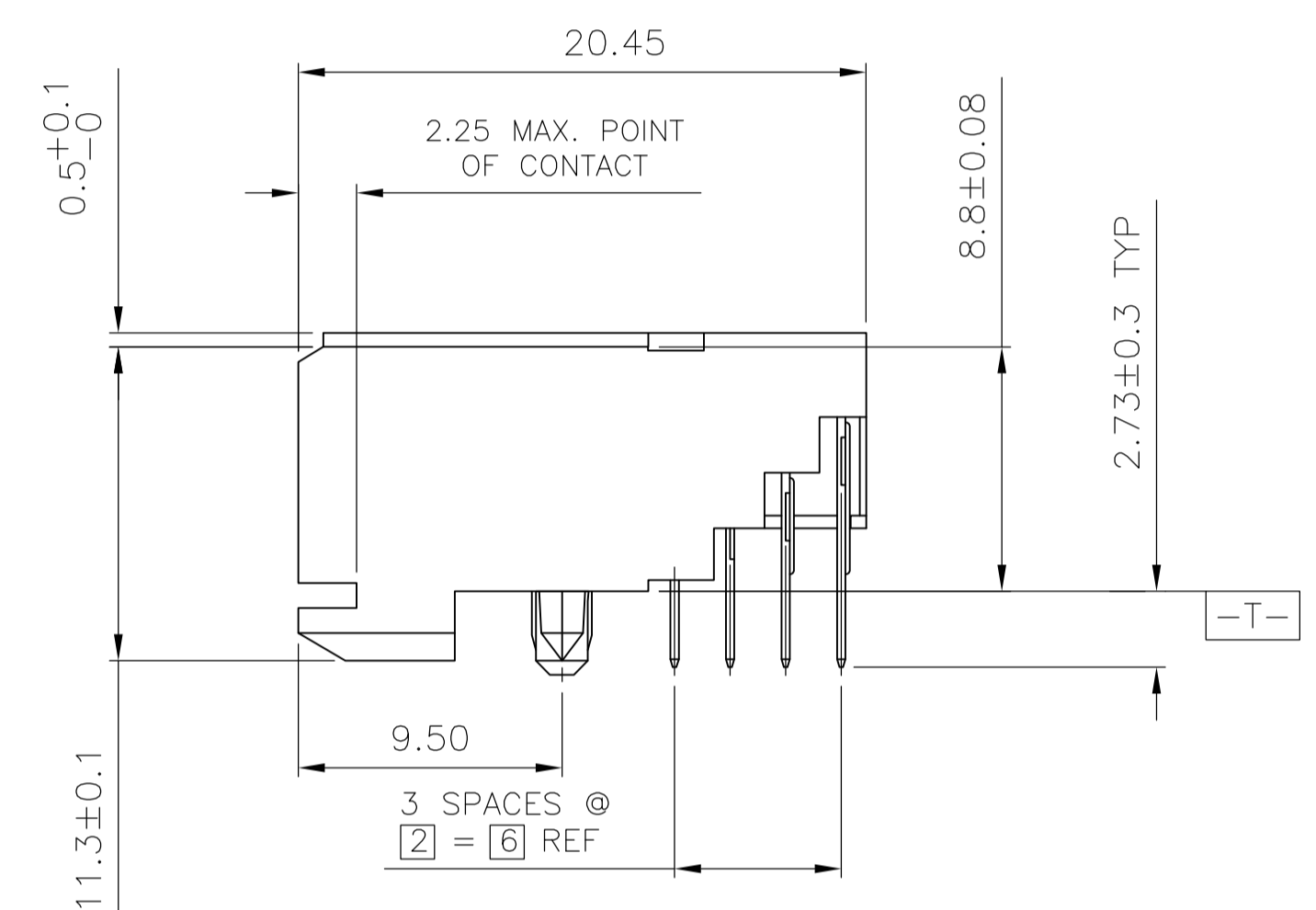
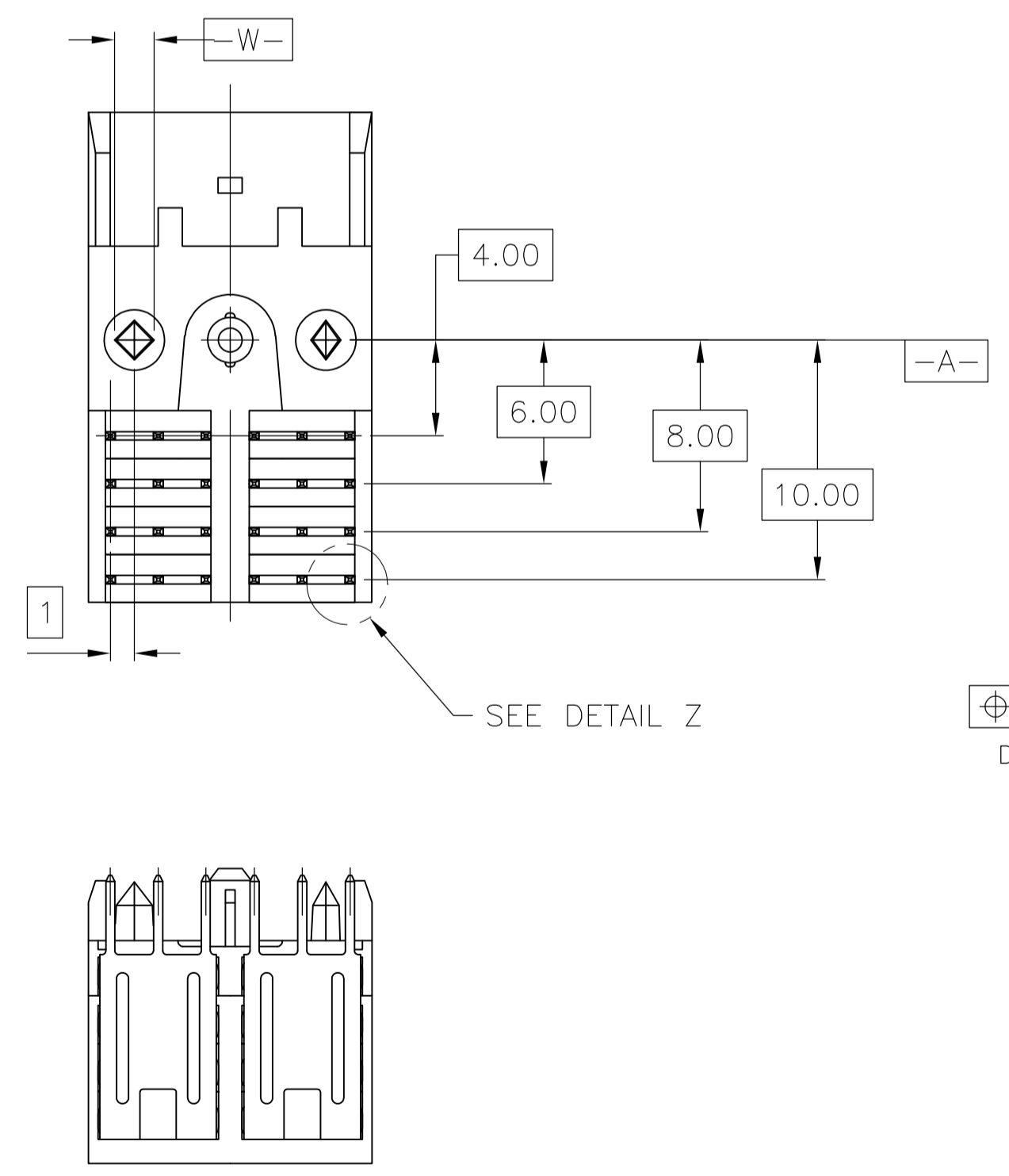
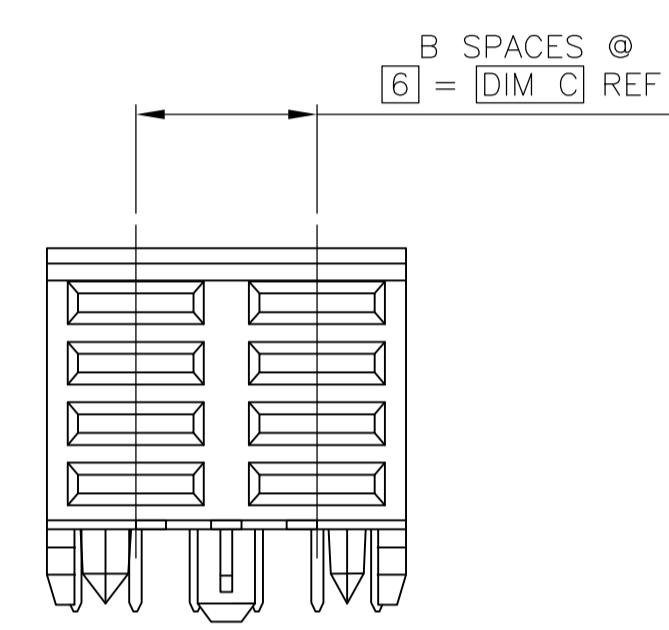
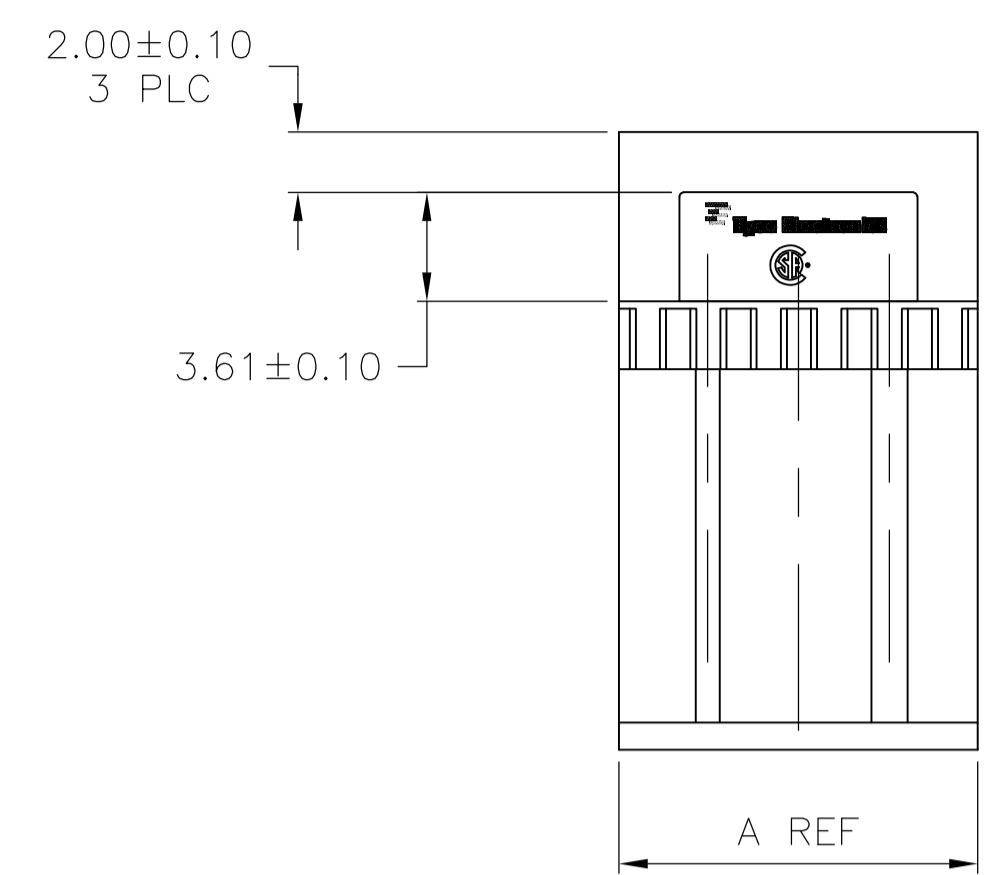


- ① HOUSING MATERIAL: LIQUID CRYSTAL POLYMER.
- ② CONTACT MATERIAL: PHOSPHOR-BRONZE.
- ③ CONTACT FINISH:  
 UNDERPLATE (ENTIRE CONTACT):  
 0.00127 MIN NICKEL PER SAE-AMS-QQ-N-290  
 ON MATING SURFACES:  
 FLASH GOLD PER ASTM B 488, OVER  
 0.00076 MIN PALLADIUM-NICKEL OVER UNDERPLATE, OR  
 0.00076 MIN GOLD PER ASTM B 488 OVER UNDERPLATE.  
 ON LEADS:  
 0.00381 MIN TIN-LEAD OVER UNDERPLATE.  
 LUBRICATION (MIN MATING SURFACES)  
 SURFACE CONDITIONER AFTER PLATING.



RECOMMENDED CIRCUIT PATTERN  
 PER IPC-D300 TYPE II, CLASS C  
 (COMPONENT SIDE)

10	5	6	1	11.88	③	8	536607-1
E	D	C	B	A	FINISH	NO OF POSN	PART NUMBER
THIS DRAWING IS A CONTROLLED DOCUMENT.				DWN D.R.BENDER 08/10/92	Tyco Electronics Corporation Harrisburg, PA 17105-3608		
DIMENSIONS:		TOLERANCES UNLESS OTHERWISE SPECIFIED:		NAME			
mm		0 PLC	± -	Z-PACK 2mm FB, POWER MODULE, RCPT. ASS'Y.			
		1 PLC	± -	4 ROW, 2.73 mm LEAD LENGTH			
		2 PLC	± .13	-			
		3 PLC	± -	-			
		4 PLC	± -	-			
		ANGLES	± -	-			
		FINISH	③	-			
MATERIAL	①②	FINISH	③	SIZE	CAGE CODE	DRAWING NO	RESTRICTED TO
				A1	00779	536607	-
CUSTOMER DRAWING				SCALE	4:1	SHEET	1 OF 1
				REV	P2		